



# HydroMetha

Development of a stationary electricity storage system via high temperature co-electrolysis and catalytic methanation



The flagship project HYDROMETHA combines high-temperature co-electrolysis of CO<sub>2</sub> and H<sub>2</sub>O by solid oxide cells with catalytic methanation to enable storage of electrical energy from fluctuating renewable sources (Power-to-Gas technology).



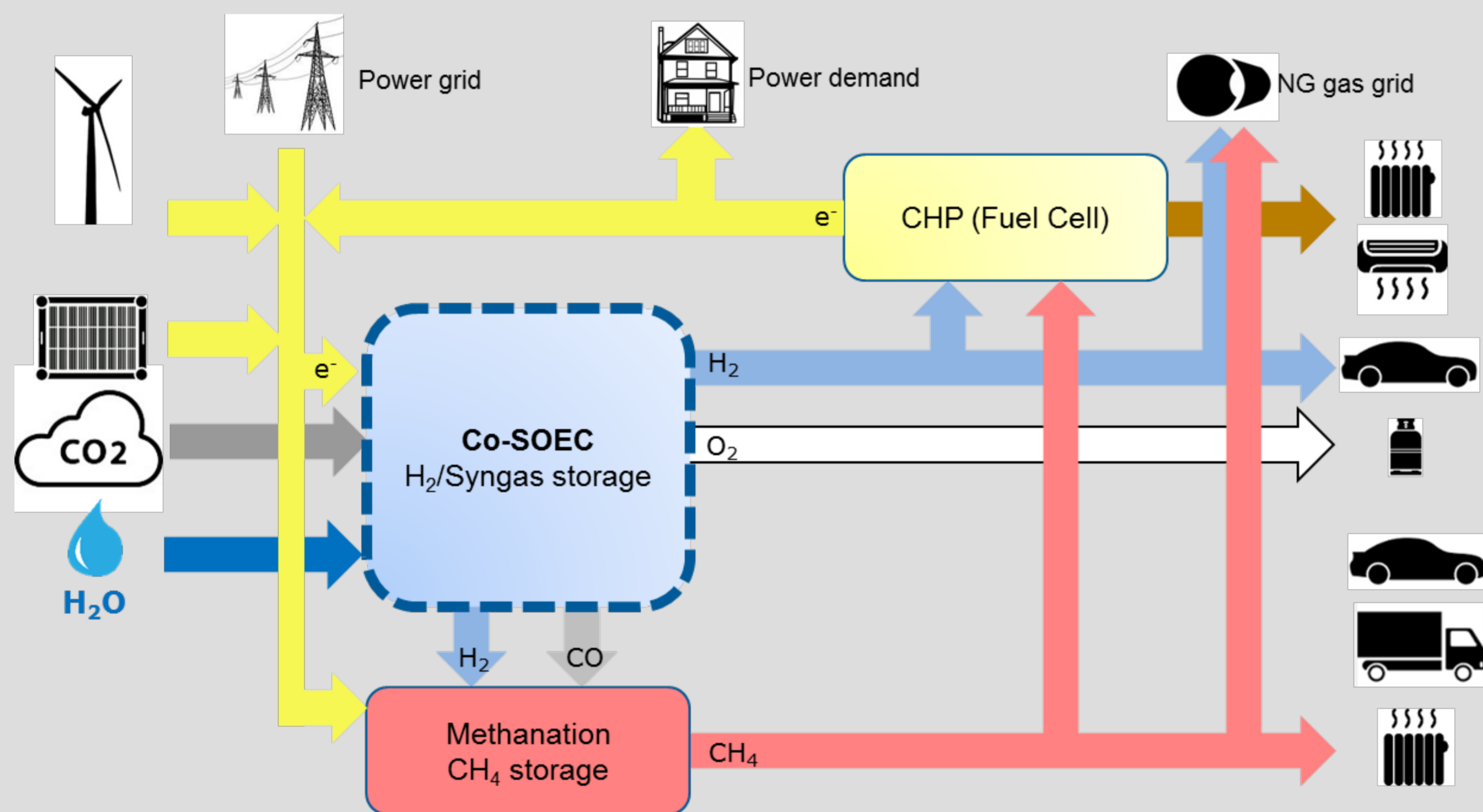
## Project partners

- AVL List GmbH
- Montanuniversität Leoben
  - Chair of Physical Chemistry
  - Chair for Process Technology and Industrial Environmental Protection
- Fraunhofer IKTS Dresden
- Energy Institute at Johannes Kepler University Linz
- Prozess Optimal CAP GmbH

## Associated partners

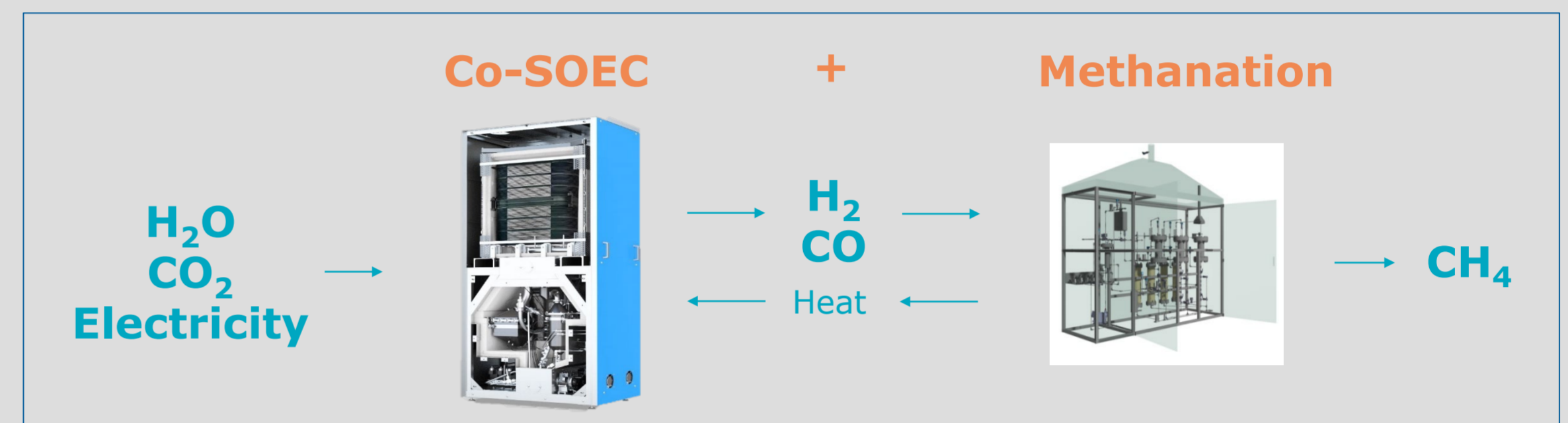
- OMV
- RAG
- EVN
- voestalpine
- K1-MET

## Power-to-Gas: Future energy storage



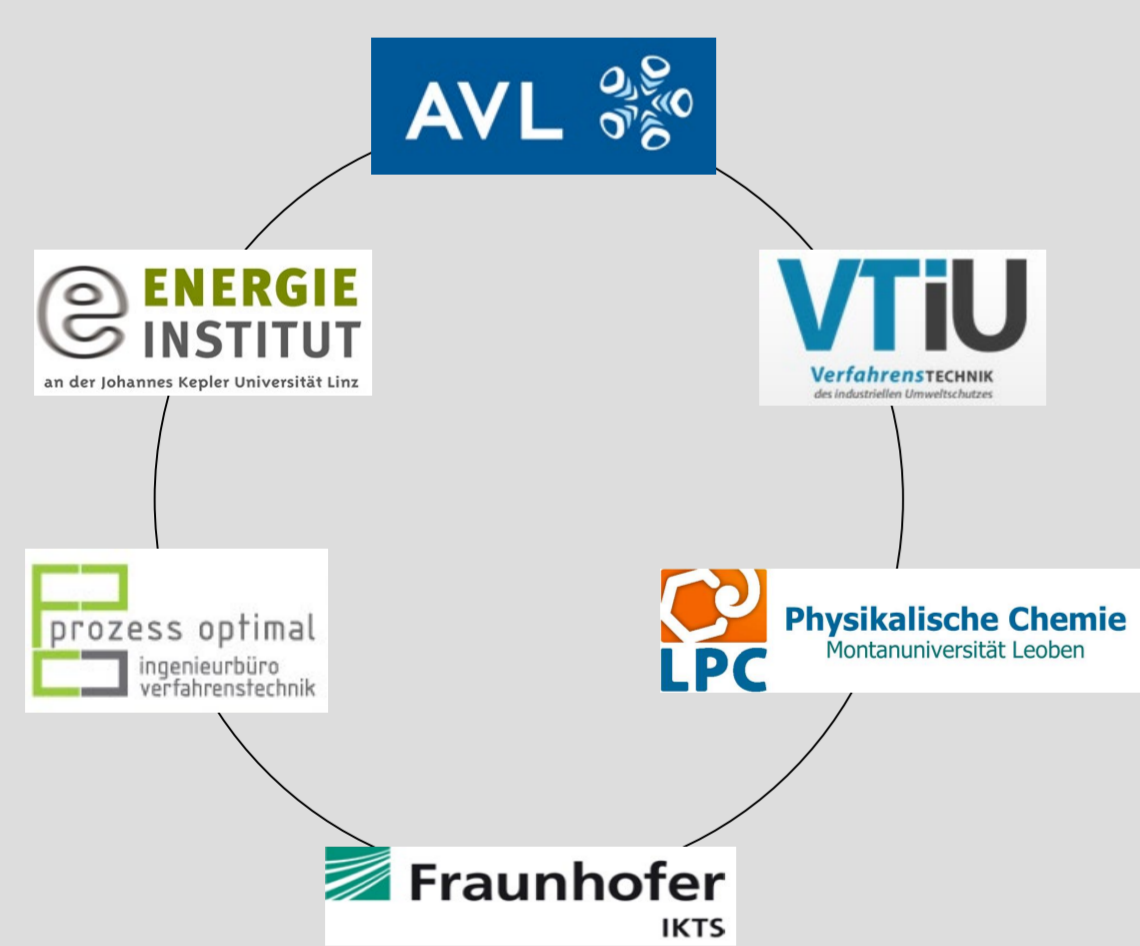
## Project idea

Significant increase in conversion efficiencies above 80%<sub>el</sub>.



- ✓ 10kWel functional unit, including all essential components
- ✓ Increased lifetime and durability
- ✓ Optimizations of the process chain
- ✓ Essential investment cost reductions
- ✓ Significantly enhanced market potentials
- ✓ Analysis for large-scale implementation of the technology

## Project consortium



The project deals with the **combination of two complex technologies**, covered by the consortium:

- ✓ Materials development
- ✓ Cell & Stack development
- ✓ Overall system development for the operation of the Co-SOEC and methanation technology
- ✓ Techno-Economical Analysis

## Impact for Austria

### ENVIRONMENT

- ✓ Significant contributions to the Austrian energy- and climate-related standards
- ✓ De-carbonization and highly efficient transformation of (volatile) renewables
- ✓ Integrating and expansion of renewable energies into the energy system
- ✓ Significant reduction of greenhouse gas emissions through CO<sub>2</sub> utilization

### ECONOMY

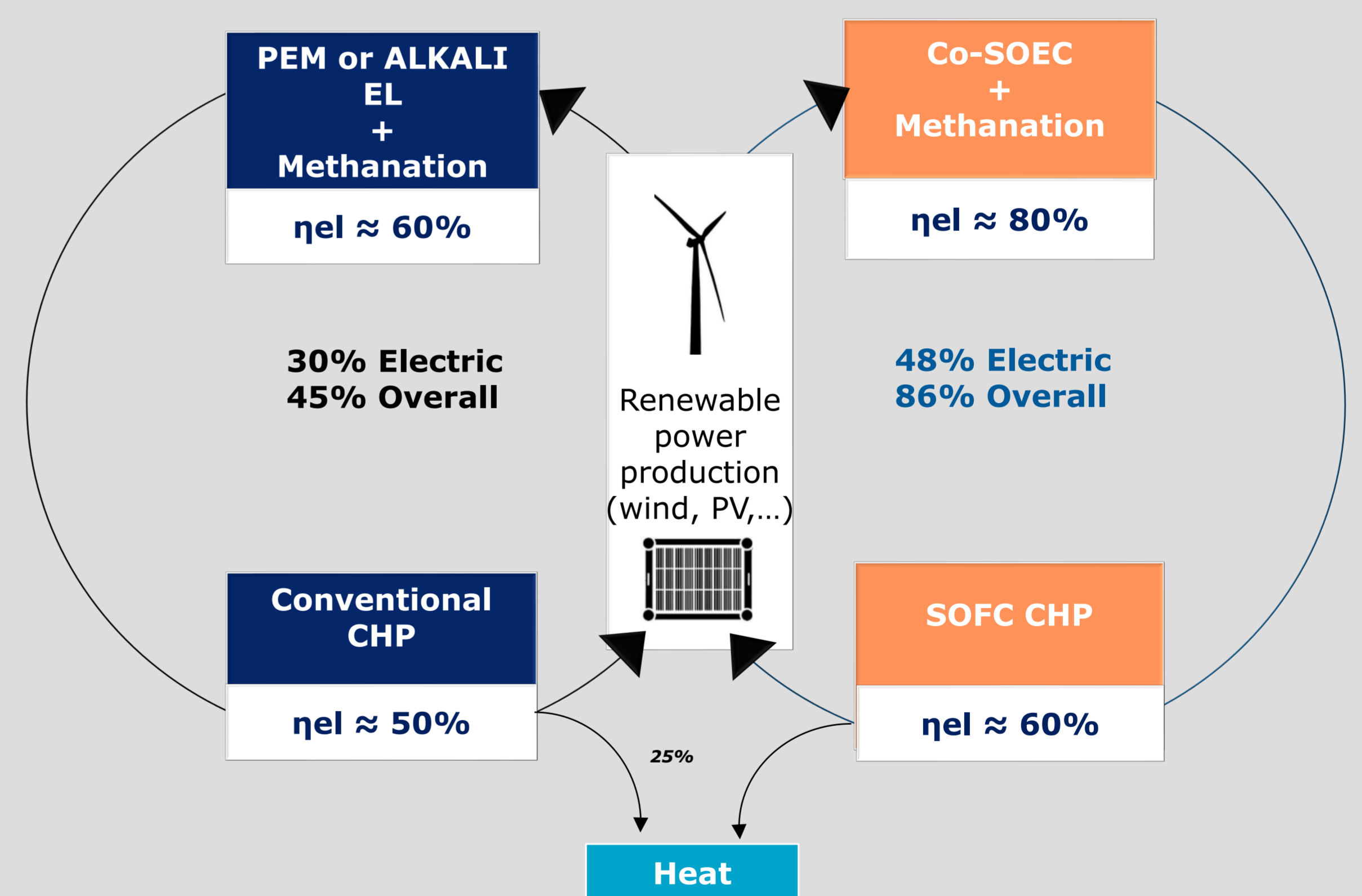
- ✓ World-wide attention due to the development of a novel combined power-to-gas system
- ✓ Technology leadership: International competitiveness is strengthened in the field of Co-SOEC
- ✓ Numerous potential areas for the application of the developed technology (renewable energy sector, CO<sub>2</sub> intensive industry, ...)
- ✓ International positioning of Austria as a producer of technology and as a systems and service provider

### SOCIETY

- ✓ Securing and maintaining highly qualified job positions

## State of the art

## HydroMetha



## Acknowledgment

Financial support by the Austrian Klima+ Energiefonds within the program Energieforschung (e!MISSION, 3rd call, project number 864578) is gratefully acknowledged.

## Contact

Richard Schauerl, AVL List GmbH, Helmut-List-Platz 1  
8020 Graz  
Tel: +43 316 787 0  
E-mail : research@avl.com